




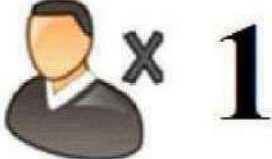

Imported by Amart Furniture Pty Ltd, Qld, Brisbane Australia.  
For any assistance with assembly or for missing parts please phone  
Amart Furniture, Customer Service Free call 1800 351 084


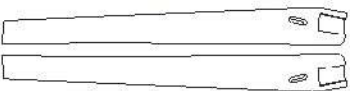

## PRE-ASSEMBLY PREPARATION

### BEFORE YOU START...

1. CHOOSE A CLEAN, LEVEL, SPACIOUS ASSEMBLY AREA. AVOID HARD SURFACES THAT MAY DAMAGE THE PRODUCT.
2. CHECK AND ENSURE THAT YOU HAVE ALL THE REQUIRED CONTENTS FOR COMPLETE ASSEMBLY.
3. ALWAYS READ THE ASSEMBLY INSTRUCTIONS CAREFULLY BEFORE BEGINNING ASSEMBLY.
4. KEEP ALL HARDWARE PARTS AND PACKAGING OUT OF REACH OF SMALL CHILDREN.

**IMPORTANT NOTE** - BEFORE FINALLY TIGHTENING THE BOLTS, PLACE THE ASSEMBLED CHAIR UPRIGHT ON A LEVEL SURFACE AND SIT CAREFULLY ON THE CHAIR TO ENSURE THE CHAIR LEGS ARE ALIGNED AND LEVEL. THEN TIGHTEN ALL BOLTS AND YOUR CHAIR IS READY FOR USE.

	
ALLOW 20 MINUTES	1 PEOPLE REQUIRED
	
ADDITIONAL TOOLS REQUIRED	

PARTS LIST		
NO.	DESCRIPTION	QTY
1	TABLE TOP 	1 PC
2	LEG (left -2pcs, right -2pcs) 	4 PCS
3	APRON 	2 PCS

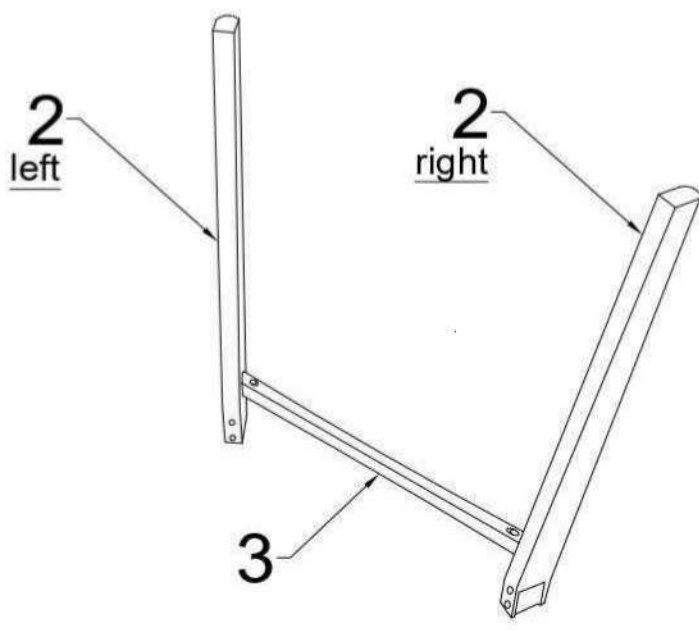
ITEM	NAME	DESCRIPTION	QTY
A	JCBB M8 X 50mm		8 PCS
B	SPRING WASHER M8		8 PCS
C	FLAT WASHER M8		8 PCS
D	CSK M4 X 45mm		4 PCS
E	ALLEN KEY M5		1 PC

STEP 1: LOCATE THE CORRECT LEFT AND RIGHT LEGS (2) AND SUPPORT BAR (3) FOR EACH OF THE TABLE AS SHOWN IN THE DIAGRAM.

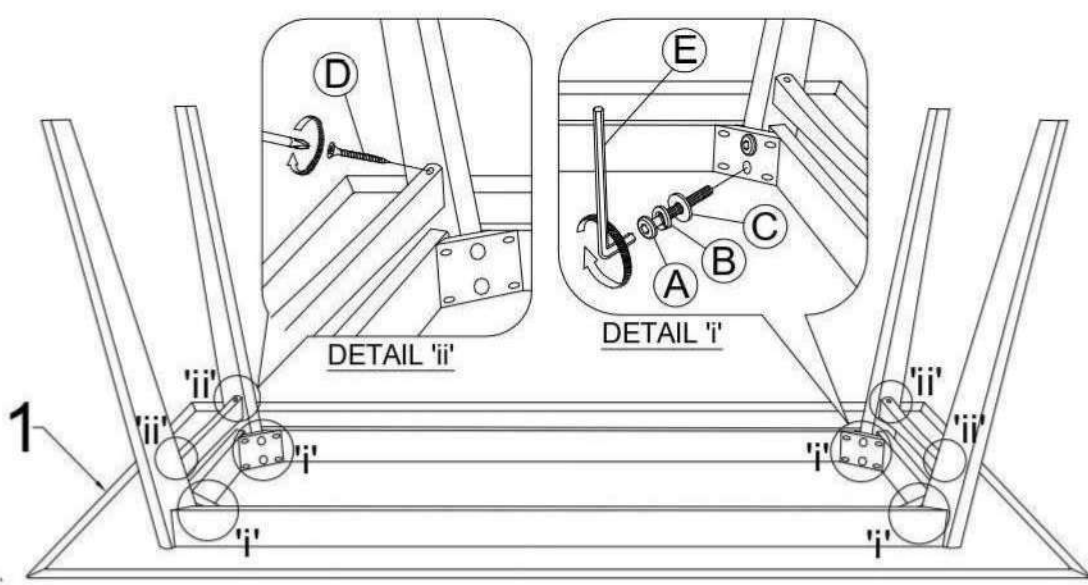
STEP 2: ATTACH THE LEGS TO THE CORNERS OF THE TABLE WITH BOLT (A) SPRING WASHER (B) FLAT WASHER (C) USING ALLEN KEY (E) AS SHOWN IN DETAIL i (2 BOLTS PER LEG).

ATTACH SUPPORT BAR (3) TO THE TABLE (2) WITH SCREWS (D) AS SHOWN IN DETAIL ii

## STEP 1



## STEP 2



**IMPORTANT NOTE** - PLEASE "LIFT UP & MOVE " THE TABLE WHEN EVER YOU WANT TO SHIFT IT.

**LIFT FROM FRAME SECTION**



**COMPLETED ASSEMBLY**